

CRANBORNE STONE

Pool Surrounds and Bed Edging Catalogue 2011

Butts Pond, Sturminster Newton, Dorset DT10 1AZ
Telephone 01258 472685 *Fax* 01258 471251
email info@cranbornestone.com *web* www.cranbornestone.com

Catalogue version 2011/1

Introduction

About Cranborne Stone

At Cranborne Stone we have been supporting property professionals with their building projects for over 30 years, utilising our extensive knowledge and skill in supply of cast stone architectural features.

Our team is made up of approachable estimators, creative designers, skilled craftsmen and a diligent delivery team as well as the essential back office support that ensures each project runs smoothly.

We are proud of our reputation for being easy to deal with and for having a flexible approach enabling us to match the individual demands of each project and look forward to demonstrating these to you.



Guides are available for each of our products. These will help you choose the correct components and assist you in installation.

Our range of standard colours have been developed to reflect the regional variations of true stone.



Bath Yellow



Cotswold



Shaftesbury Green



York



Portland White



Italian Terracotta

Developing a Property with Cranborne Stone

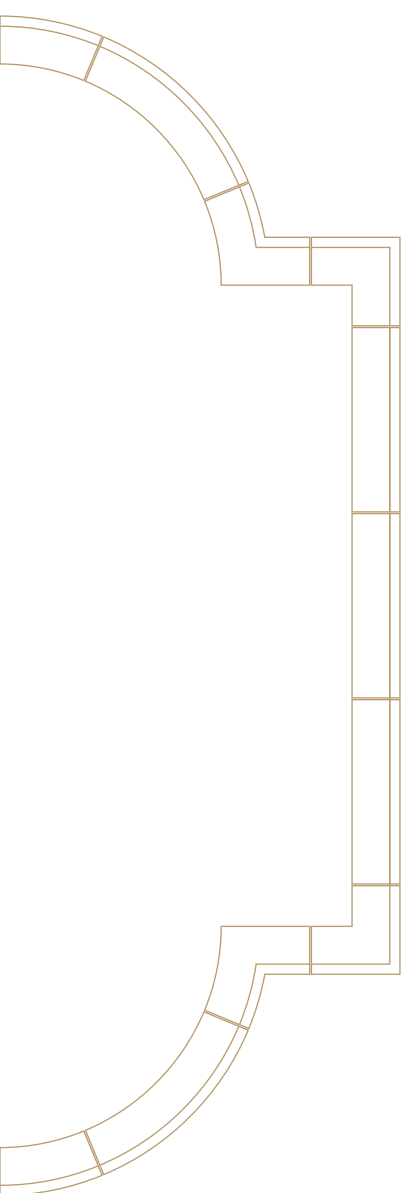
High quality cast stone features will enhance any property project from the restoration of a historic building to a contemporary style new build.

With Cranborne Stone property developers not only benefit from supply of a wide range of distinctive architectural features but also clear and responsive project support.

- **Wide range of styles & features**
- **Bespoke design service**
- **Choice of regional stone colours**
- **Colour matching service to blend the new with existing**
- **Named support for each project**
- **Interpretation of initial drawings**
- **Sound advice on managing cost whilst maintaining aesthetic consistency**
- **Provision of detailed drawings**
- **Restoration capability**
- **Fitting service**
- **Clear to read quotations**
- **Agreed delivery dates**

If you would like to know more or would like specific assistance with a project please call or email one of our knowledgeable team who will be pleased to help.

Contents



Pool Surrounds

Classical Pool Surround C030	1.1
Classical Pool Surround Example Configurations	1.2
Riding Court Pool Surround C040	1.3
Riding Court Pool Surround Example Configurations	1.4
Bullnose Pool Surround C080	1.5
Kent Pool Surround C090	1.6
Stour Pool Surround C100	1.7
Stour Pool Surround Example Configurations	1.8
Rope and Plain Bed Edging	1.9

Fountains

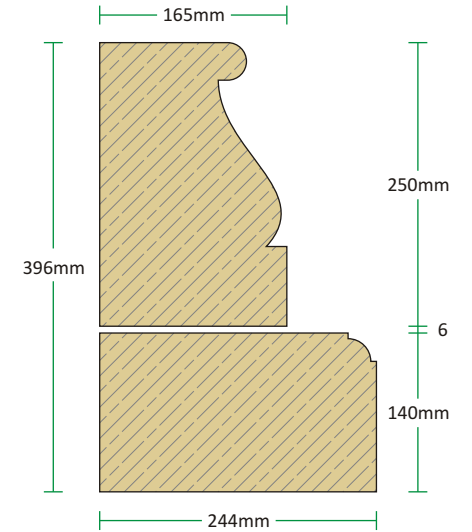
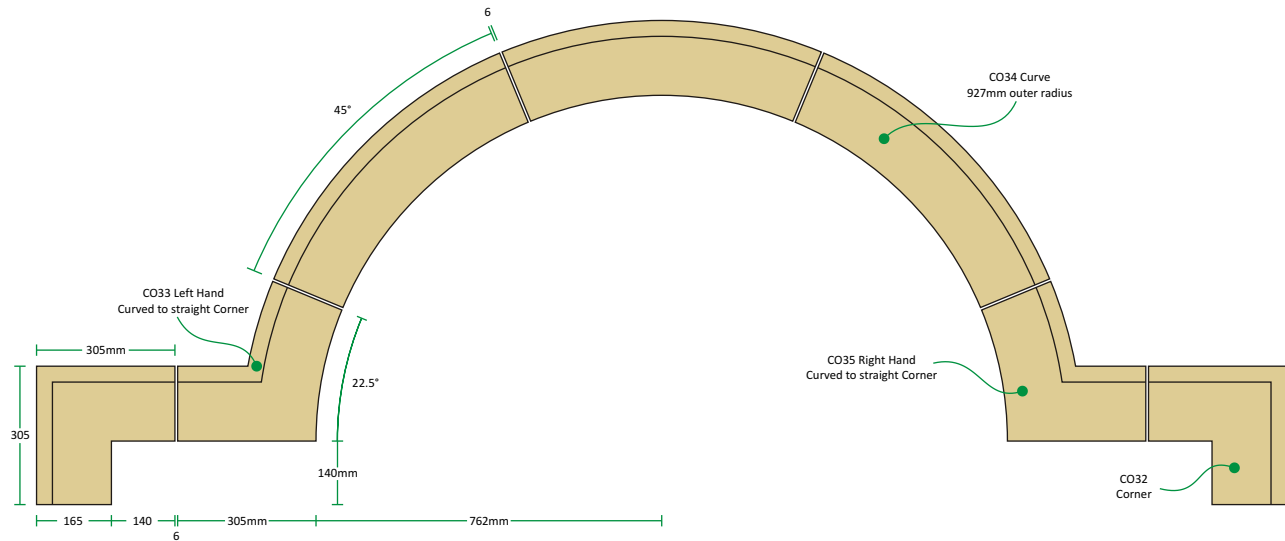
Bryanston Fountain	2.1
Pope's Fountain	2.2

Information

CAD and technical information	3.1
Glossary and FAQ's	3.2

Classical Pool Surround C030

The Classical Pool Surround is equally at home being used as a traditional pool surround or as an ornamental bed edging.



Section showing optional Undercoping



Classical Pool Surround C030

Straights and Corners Description	Code	Height (mm)	Width (mm)	Length (mm)	Weight (Kg)
Straight	C031	250	165	635	47
90° External Corner	C032	250	305	305	33
90° Internal Corner	C032B	250	305	305	33
135° External Corner	C039E	250	305	305	46
135° External Corner	C039I	250	305	305	46
Curve to Straight Corner (LH)*	C033	250	305	305	33
Curve to Straight Corner (RH)*	C035	250	305	305	33

Radius Sections Description	Code	Height (mm)	Outer Radius (mm)	No. Per Circle (mm)	Weight (Kg)
Curve	C034A	250	850	8	45
Curve	C034	250	927	8	49
Curve	C034B	250	1700	12	62
Curve	C036	250	2870	24	54
Curve	C037	250	1221	12	44

* Curved to Straight Corner only suitable for C034 927mm Radius curve

Undercoping

Straights and Corners Description	Code	Height (mm)	Width (mm)	Length (mm)	Weight (Kg)
Straight	C031U	140	244	635	46
90° External Corner	C032U	140	384	384	38
Curve to Straight Corner (LH)**	C033U	140	305	305	34
Curve to Straight Corner (RH)**	C035U	140	305	305	34

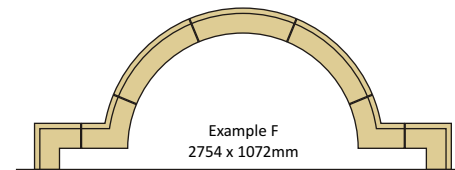
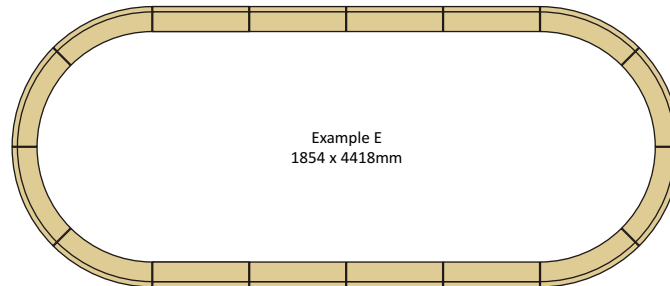
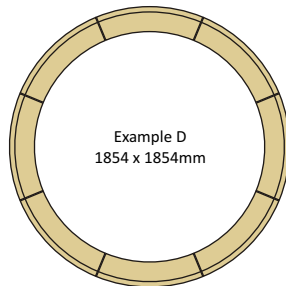
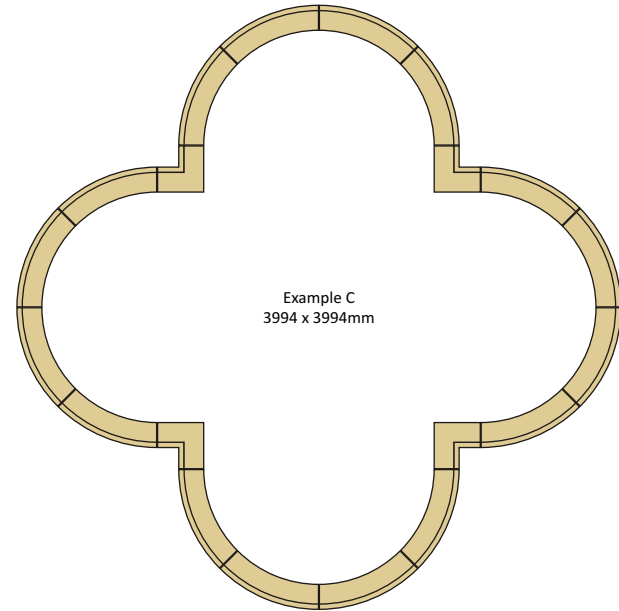
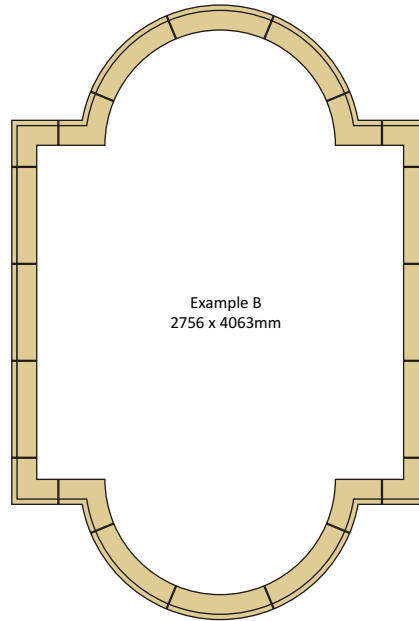
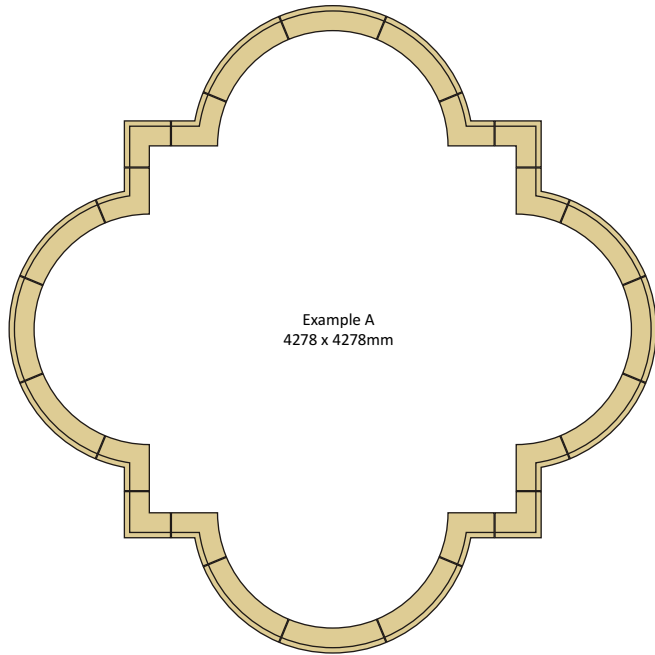
Radius Sections Description	Code	Height (mm)	Outer Radius (mm)	No. Per Circle (mm)	Weight (Kg)
Curve	C034U	140	1006	8	50
Curve	C034BU	140	1779	12	62
Curve	C036U	140	2949	24	53
Curve	C037U	140	1300	12	44

** Curved to Straight Corner only suitable for C034U 1006mm Radius curve

Our Classical Pool Surround can create a multitude of designs, if you have an idea and would like some assistance, please contact a member of our technical team. We will be happy to design a layout to suit your plan.

Classical Pool Surround Example Configurations

Our Classical Pool Surround is infinitely adaptable, we have created a few examples to show you what is possible.

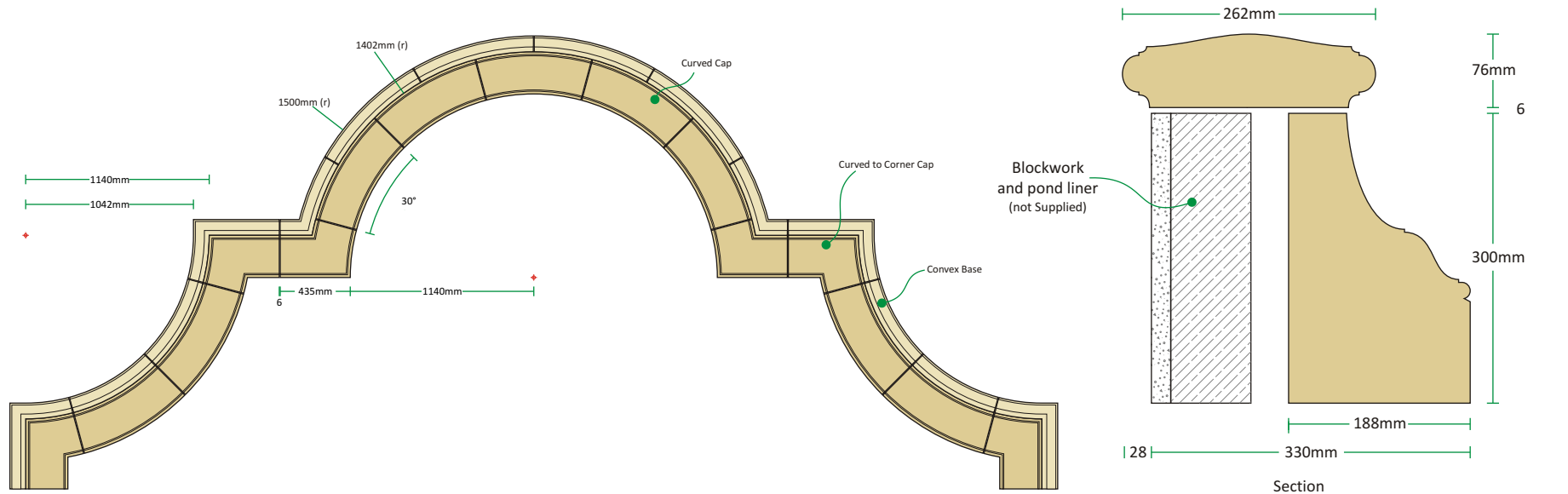


Alternative circular surrounds of
2442mm and 5740mm diameter are available



Riding Court Pool Surround C040

Our Riding Court Pool Surround incorporates an internal block work liner enabling you to construct a grand feature.



Riding Court Pool Surround C040

Straights and Corners Description	Code	Height (mm)	Width (mm)	Length (mm)	Weight (Kg)
Cap Straight	C043C	76	262	800	25
Base Straight	C043B	300	188	800	56
Cap 90° External/Internal Corner	C041C	76	435	435	19
Base 90° External Corner	C041B	300	188	188	13
Cap LH Curve to Straight Corner	C046C	76	435	295	15
Cap RH Curve to Straight Corner	C047C	76	435	295	15
Base LH Curve to Straight Corner	C046B	300	274	512	45
Base RH Curve to Straight Corner	C047B	300	274	512	45

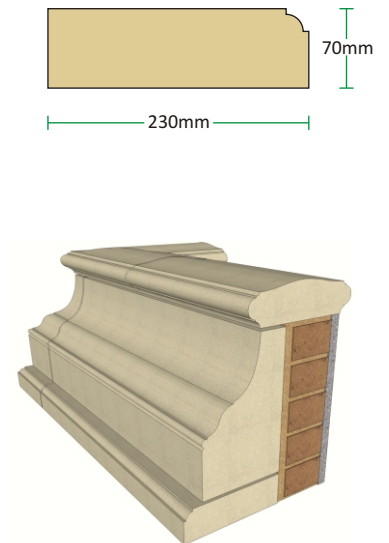
Radius Sections Description	Code	Height (mm)	Outer Radius (mm)	No. Per Circle (mm)	Weight (Kg)
Cap Curve - Concave/Convex	C042C	76	1402	12	21
Base Curve - Convex	C042B	300	1500	12	42
Base Curve - Concave	C042BC	300	1272	12	52
Large Cap Curve	C049C	76	3233	30	22
Large Base Curve	C049B	300	3331	30	48

Undercoping

Straights and Corners Description	Code	Height (mm)	Width (mm)	Length (mm)	Weight (Kg)
Straight	C043U	70	230	800	23
90° External Corner	C041U	70	230	230	7
LH Curve to Straight Corner	C046U	70	274	855	25
RH Curve to Straight Corner	C047U	70	274	855	25

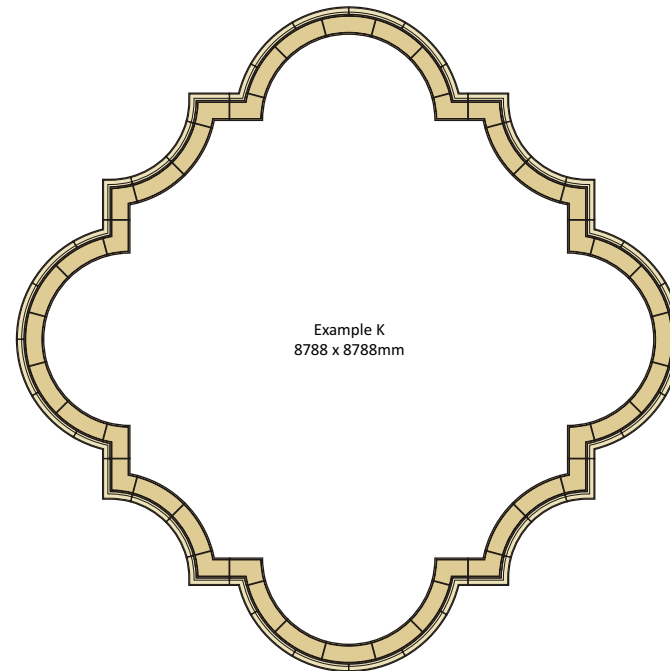
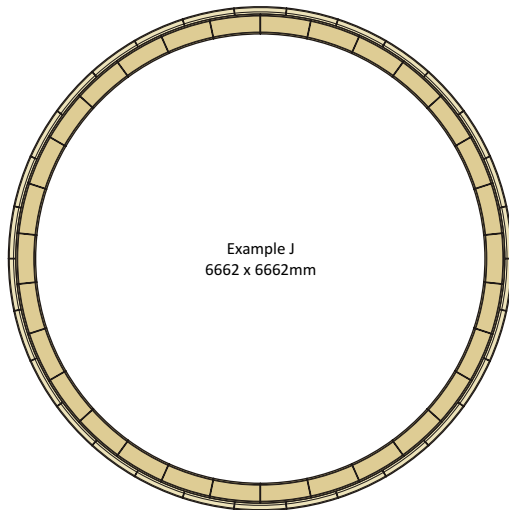
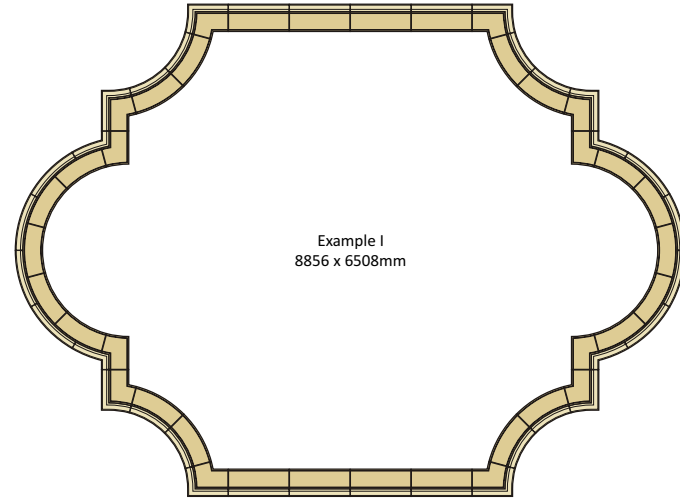
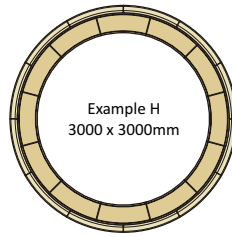
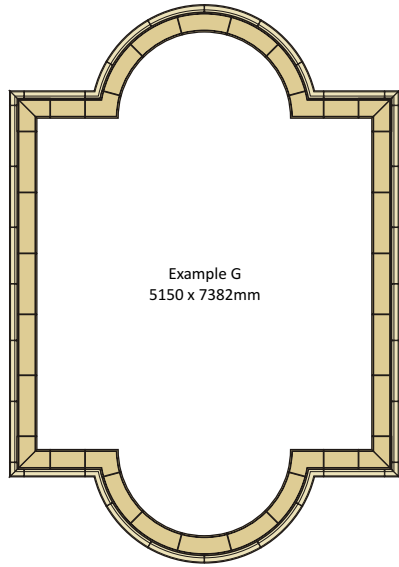
Radius Sections Description	Code	Height (mm)	Outer Radius (mm)	No. Per Circle (mm)	Weight (Kg)
Curve - Convex	C042U	70	1549	12	23
Curve - Concave	C042UC	70	1230	12	23
Large Curve	C049U	70	3380	30	20

Our Riding Court Pool Surround can create a multitude of designs, if you have an idea and would like some assistance, please contact a member of our technical team. We will be happy to design a layout to suit your plan.



Riding Court Pool Surround Example Configurations

Utilising the vast array of components available, a multitude of designs are possible.



Bull Nosed Pool Surround C080

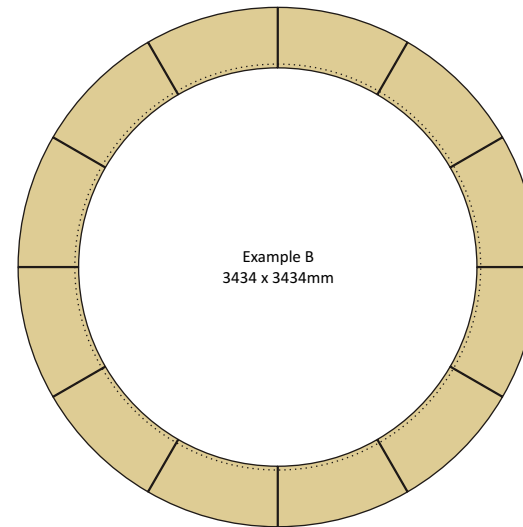
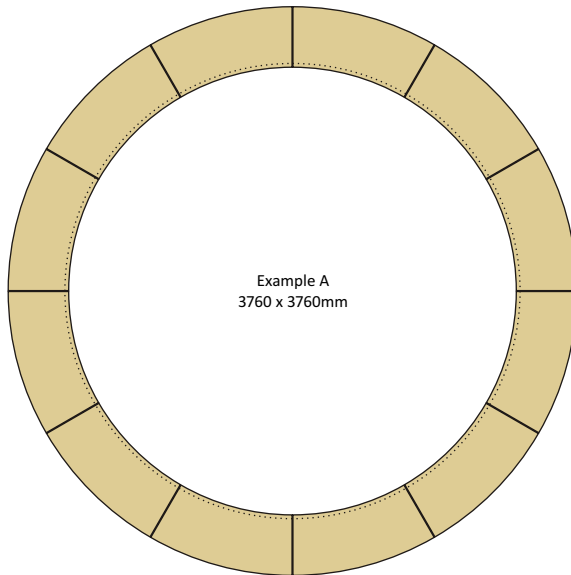
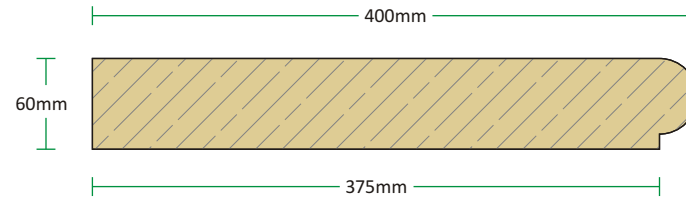
The simple Bullnose Surround adds the finishing touches to sunken pools and beds.

Bull Nosed Pool Surround C080

Straights and Corners		Height	Width	Length	Weight
Description	Code	(mm)	(mm)	(mm)	(Kg)
Straight	C085	60	400	1000	50
Internal Corner	C084	60	400	400	20

Radius Sections		Height	Outer Radius	No. Per Circle	Weight
Description	Code	(mm)	(mm)	(mm)	(Kg)
Curve	C081	60	1880	12	40
Curve	C082	60	1717	12	44
Curve	C083	60	3500	24	43

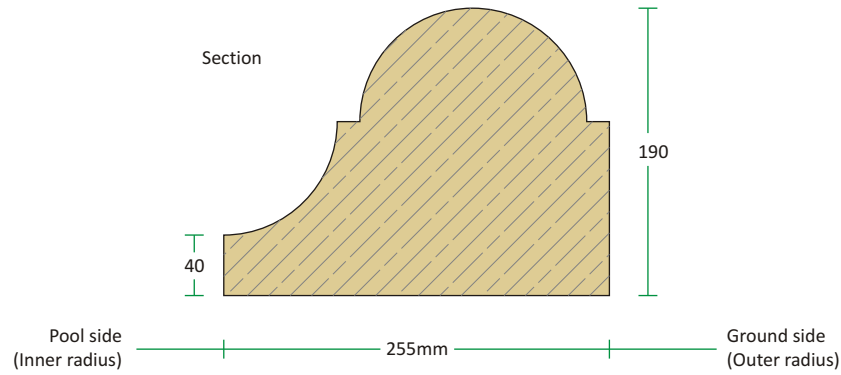
Section



Also available as 7000 x 7000mm circular surround

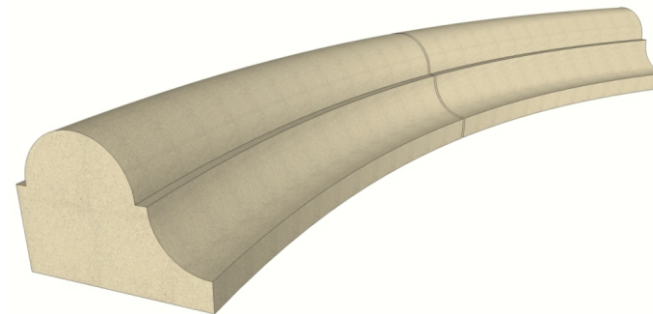
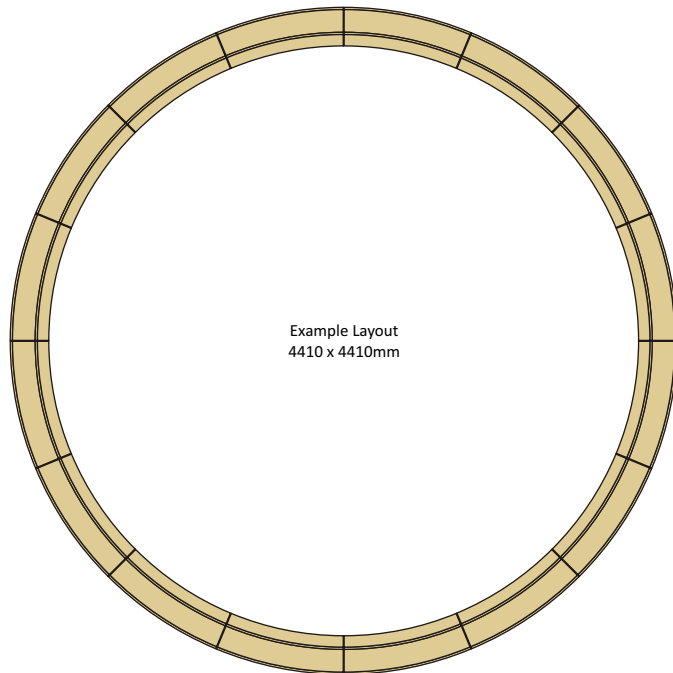
Kent Pool Surround C090

The Kent Pool Surround adds a subtle detail to the surround of a formal fountain or a central feature bed.



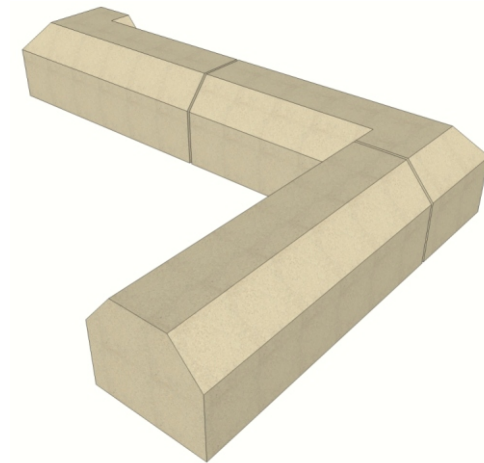
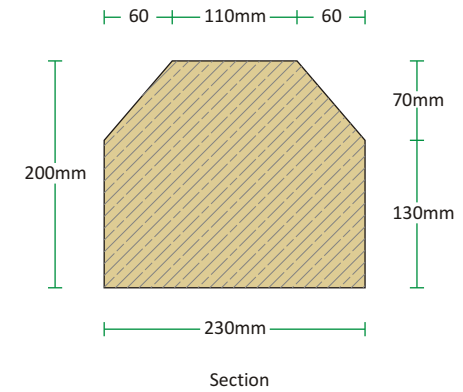
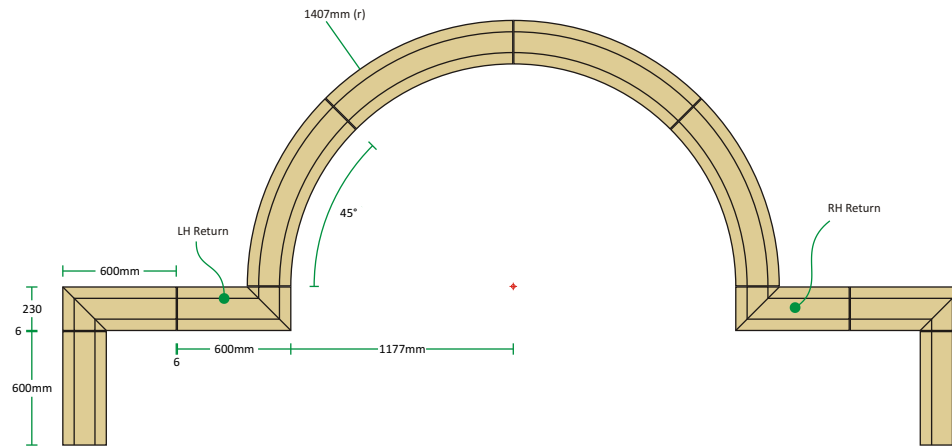
Kent Pool Surround C090

Radius Sections Description	Code	Height (mm)	Outer Radius (mm)	No. Per Circle	Weight (Kg)
Curve	C090	190	2205	16	49



Stour Pool Surround C100

Contemporary styling allows the Stour Pool Surround to blend seamlessly with modern and classical surroundings.



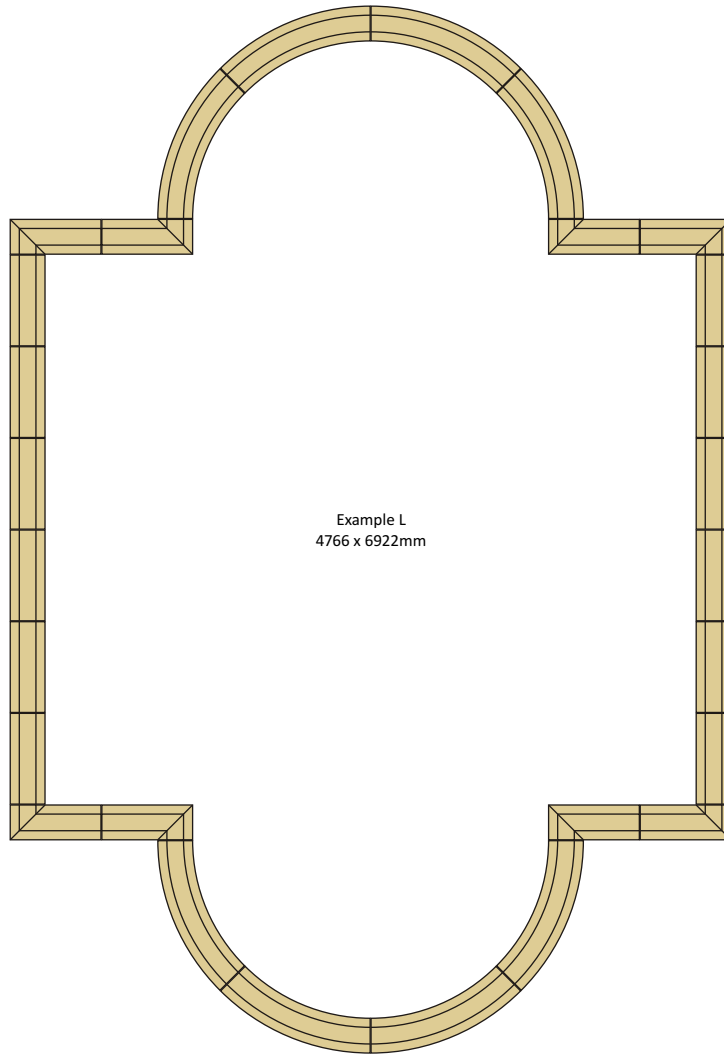
Stour Pool Surround C100

Straights and Corners		Height	Width	Length	Weight
Description	Code	(mm)	(mm)	(mm)	(Kg)
Straight	C105	200	230	600	52
RH Return	C106	200	230	600	53
LH Return	C107	200	230	600	53

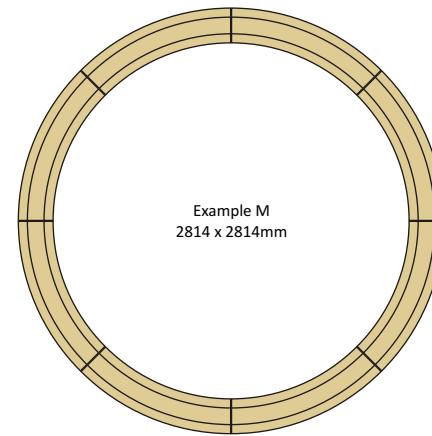
Radius Sections		Height	Radius	Outer No. Per Circle	Weight
Description	Code	(mm)	(mm)	(mm)	(Kg)
Curve	C104	200	1407	8	88

Stour Pool Surround Example Configurations

Its simple form allows the Stour Pool Surround to create a design for any application from formal pools to simple floral beds.



Example L
4766 x 6922mm



Example M
2814 x 2814mm

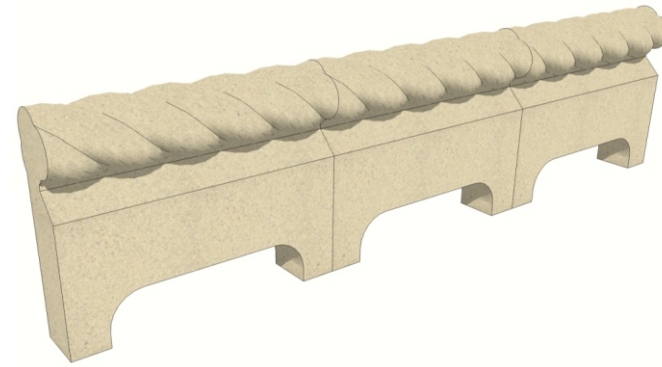
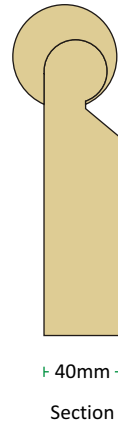
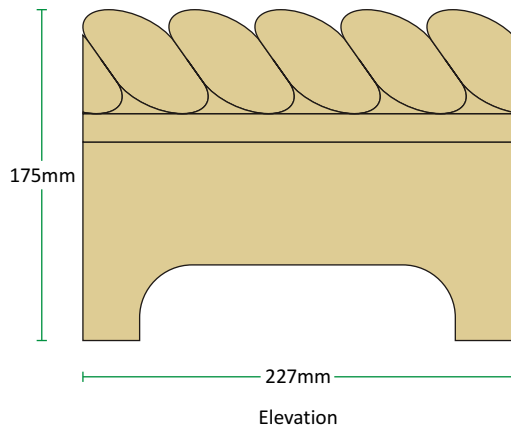
Our Stour Pool Surround can create a multitude of designs, if you have an idea and would like some assistance, please contact a member of our technical team. We will be happy to design a layout to suit your plan.



Rope and Plain Bed Edging

Both our classically inspired Rope Edging and our simple Plain Edging can add a perfect detail to your lawn or flower bed.

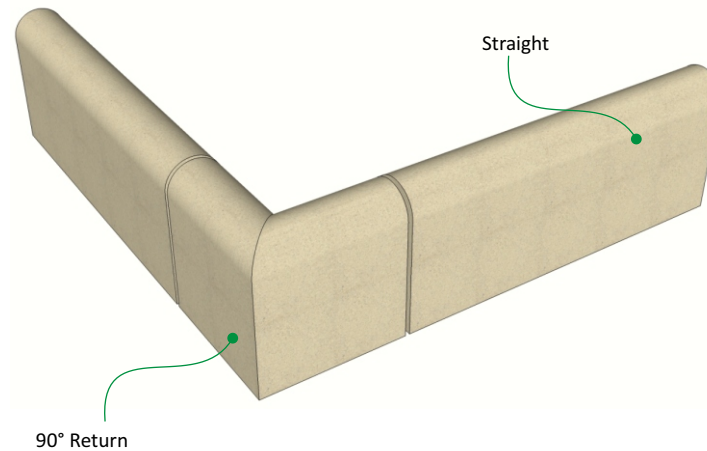
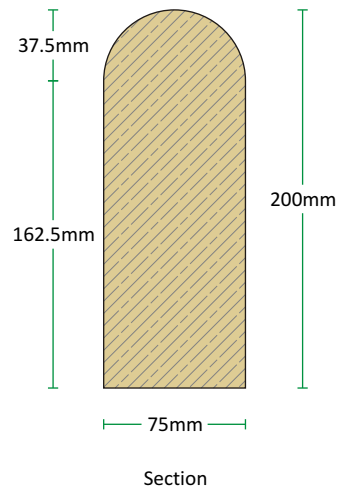
Rope Edging



Bed Edging

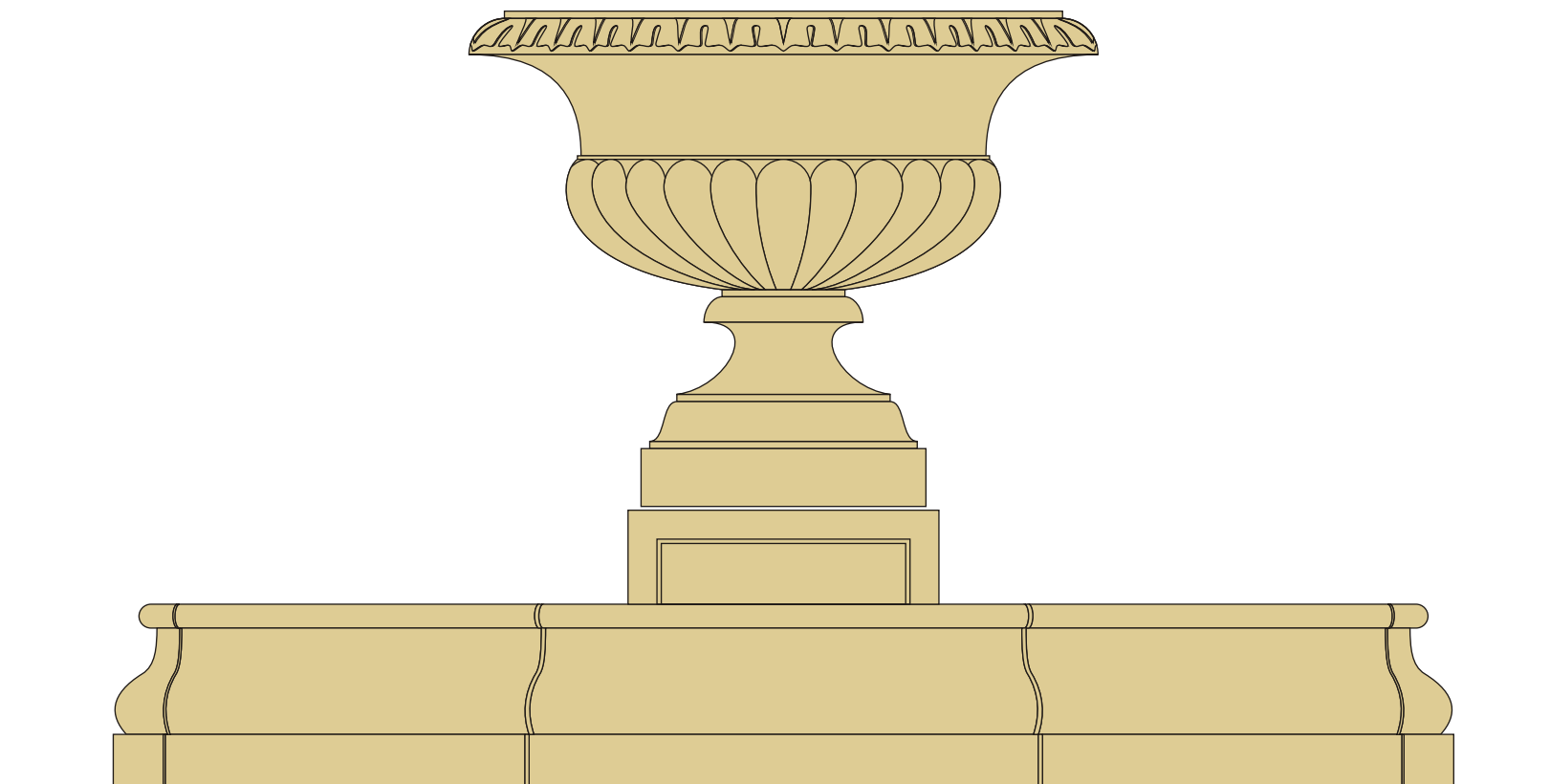
Straights and Corners		Height	Width	Length	Weight
Description	Code	(mm)	(mm)	(mm)	(Kg)
Rope Edging - Straight	C200	175	55	227	4
Plain Edging - Straight	C400	200	75	500	16
Plain Edging - Corner	C401	200	75	200	12

Plain Edging



Bryanston Fountain

Our Bryanston Vase (UB02) combined with a Square Pedestal (UP02) and our Classical Pool Surround

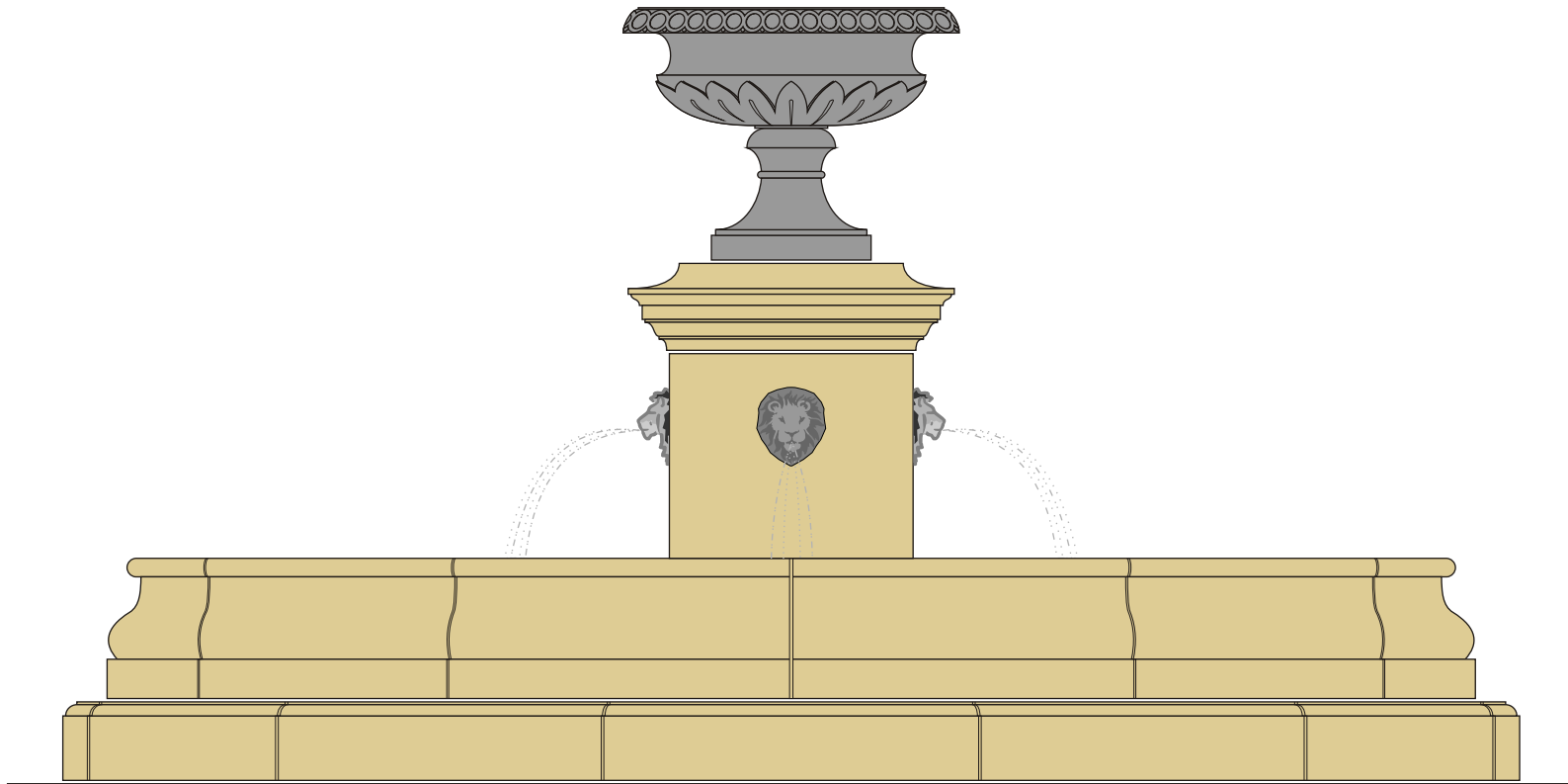


Fountain Dimensions.
Height 955mm
Max. Width 870mm

Bryanston Vase fountain (including pump) on a square pedestal
with classical pool surround - external radius of the pool is 927mm.
A wide range of our vases can be converted to make fountains.

Pope's Fountain

Our Leaf Vase combined with our Pope's Pedestal with four Lion Head fountains



Fountain Dimensions.
Height 1303mm
Max. Width 620mm

A variety of pool surrounds are available.
Shown on this illustration is with our Classical Pool Surround (C037) with Undercoping (C037U).
Pool surround shown 1300mm radius.

CAD Files

Drawings of all our Pool Surrounds are available for downloading by visiting our website.

	AutoCAD®	Sketchup®	Acrobat®
Pool Surrounds			
Classical Pool Surround C030	✓	✓	✓
Classical Pool Surround Example Configurations	✓	✓	✓
Riding Court Pool Surround C040	✓	✓	✓
Riding Court Pool Surround Example Configurations	✓	✓	✓
Bullnose Pool Surround C080	✓	✓	✓
Kent Pool Surround C090	✓	✓	✓
Stour Pool Surround C100	✓	✓	✓
Stour Pool Surround Example Configurations	✓	✓	✓
Rope and Plain Bed Edging	✓	✓	✓
Fountains			
Bryanston Fountain	✓	✓	✓
Pope's Fountain	✓	✓	✓

File Viewers

If you do not have the software to view these files, free viewing software is available by visiting the relevant website below

AutoCAD®

Autodesk® DWG TrueView™ software is a free stand-alone DWG™ viewer. Visit their website to download <http://usa.autodesk.com/>

Sketchup®

Anyone can use the free Sketchup Viewer to view and print models created in Sketchup. Visit their website to download <http://sketchup.google.com/>

Acrobat Reader®

Use Adobe Reader to view, search, verify, print, and collaborate on Adobe PDF files. Visit their website to download <http://www.adobe.com>

Glossary and FAQ's

To help you and answer a few of your questions, we have compiled this handy list of commonly used terms and questions.

Glossary

Pool Surrounds - (See illustration below)

Cap - The top of a pool surround, usually decorative, and provides the finished top visible area of a pool.

Base - The sides of a pool surround, providing the support for the liner if required and creating the surrounding detail of the pool.

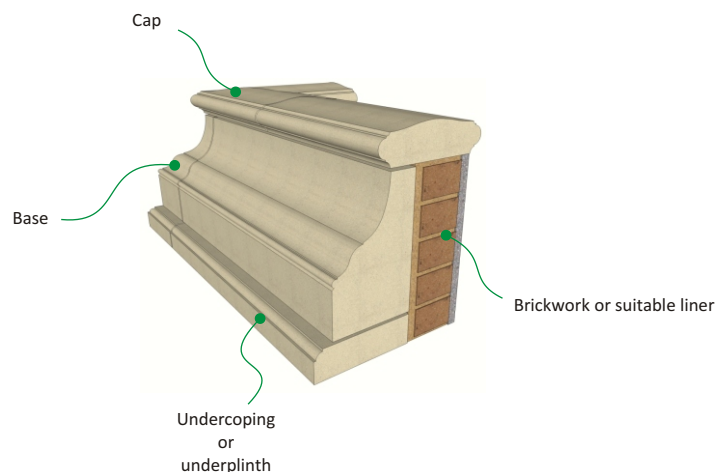
Undercoping - If additional height is required, the undercoping provides a complimentary design detail along with an increased height.

Liner - The 'mechanics' of the pool.

These provide the water retention of the pool and are available as flexible rubber sheet, precast glass fibre and cast in-situ glass fibre rigid liners.

Convex - Curving outward, like the outer boundary of a circle or sphere.

Concave - A shape that curves or bends inward.



FAQ

Can you cut the Stone?

Our stone cuts and carves just as true sandstone. A consistent texture throughout ensures that our product cuts and carves smoothly.

Do I need a liner within the surround?

Our Pool Surrounds are purely a decorative edging to your pool. An internal liner will be required to provide a waterproof barrier.

Are your Pool Surrounds available in bespoke radii?

We can manufacture bespoke radii and curves to suit your project. If you require a curved design, please contact a member of our technical team on 01258 472685.

Is the stone frostproof?

All our stone products are frost proof and are unaffected in normal conditions if installed correctly.

We do however recommend that all pools are drained if prolonged frost or freezing conditions are experienced.

How does the stone age?

The stone ages in a similar way to true stone, this can be encouraged or slowed by using a number of readily available products after installation.

How do we fix the stone?

There are a range of fixings specially designed for cast stone. If required we can cast in fixings subject to your specification.

Are there installation guides?

Each of our products has a guide available. These are available from our technical department.

What colours are available?

The Cranborne Stone range of products are available in our six regional colours Portland White, Cotswold, Bath Yellow, Yorkstone, Devon Red and Shaftesbury Green.

Bespoke and colour matching is available as a special order.

Do I need an account to order with you?

We supply both the trade and private customers alike, you do not need an account with us to place an order. We do however request a deposit at the time of order.

Is pointing mix supplied?

Where required, we supply sufficient colour matched aggregate free of charge. We recommend that this is mixed at a ratio of 4:1 with Portland White Cement. Full pointing instructions are available upon request.

Address Cranborne Stone Ltd
Butts Pond
Sturminster Newton
Dorset
DT10 1AZ

Fax 01258 471251

Telephone 01258 472685

email info@cranbornestone.com

web www.cranbornestone.com